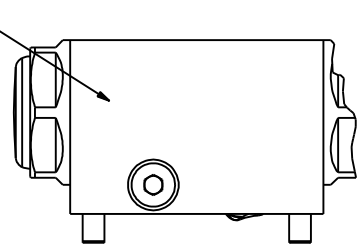
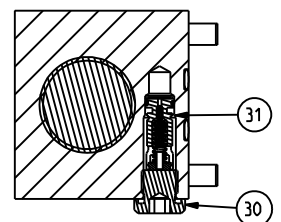


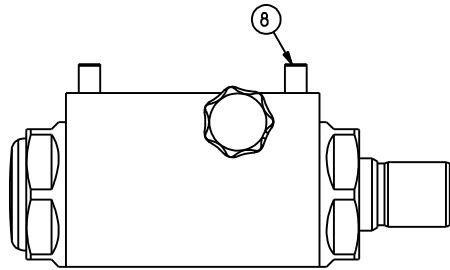
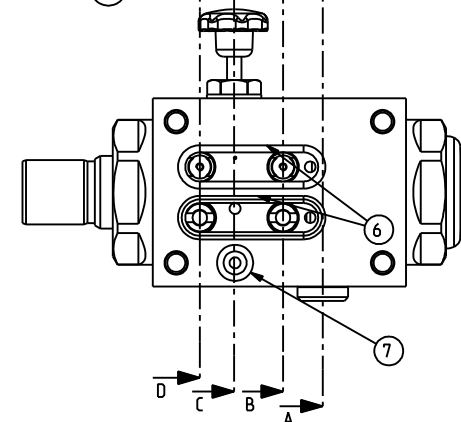
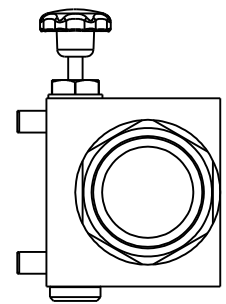
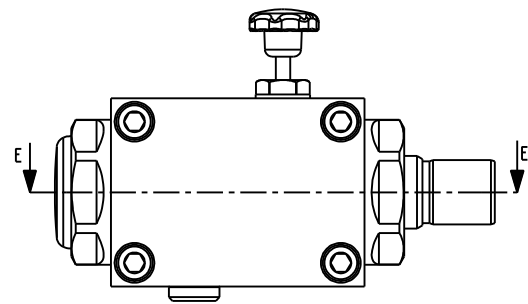
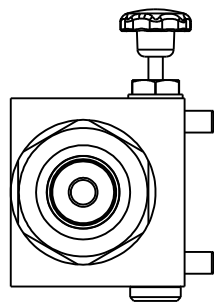
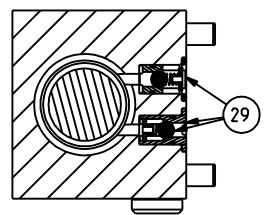
Date stamp



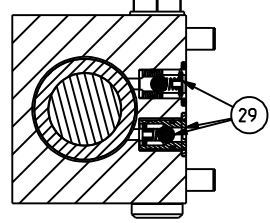
SECTION A-A



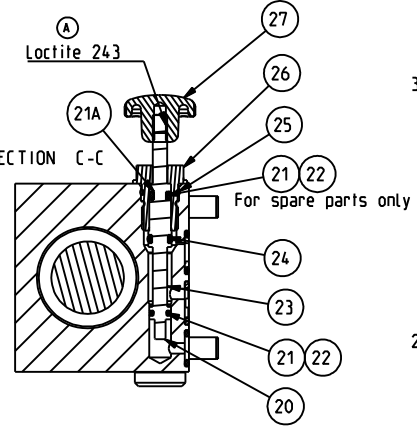
SECTION B-B



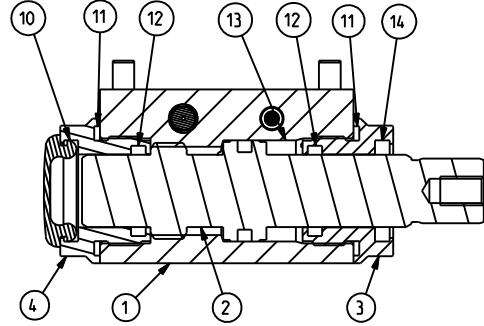
SECTION D-D



SECTION C-C



SECTION E-E



A2		DATE: 10-10-83		DISPATCHED:		NUMBER:		UNIT:		MATERIAL TREATMENT:	
QUANTITY:		THIS PRINT IS PROVIDED ON A RESTRICTED BASIS. THIS PRINT IS TO BE RETURNED UPON REQUEST. IT IS TO BE USED ONLY FOR THE PURPOSE FOR WHICH IT WAS SPECIFICALLY PREPARED AND IS NOT TO BE COPIED OR REPRODUCED IN ANY MANNER WITHOUT THE WRITTEN PERMISSION OF THE ORIGINAL AUTHOR.		MATERIAL TREATMENT:		MATERIAL TREATMENT:		MATERIAL TREATMENT:		MATERIAL TREATMENT:	
IF DIMENSIONS EXIST SPECIFY DIMENSIONS AND TOLERANCES		SCALE:		SECTION:		REV.:		DATE:		SUB.:	
DRAWING NO. 160G9378		1:1		REVISED BY:		A		030205		BNH	
0.1-0.2		0.1		0.5-0.8		0.2		050209		KBE	
0.3-0.5		0.2		0.9-1.2		0.3		6995101001		KBE	
0.6-1.0		0.3		1.3-1.6		0.4		7207120629		KBE	
DIMENSIONS IN MILLIMETERS		TOTAL WEIGHT:		1.6		KG					
DESCRIPTION:		Hand Pump		6 ccm for KFR							
DAMCOS		PAGE:		1		1		DATE:		160G9378	