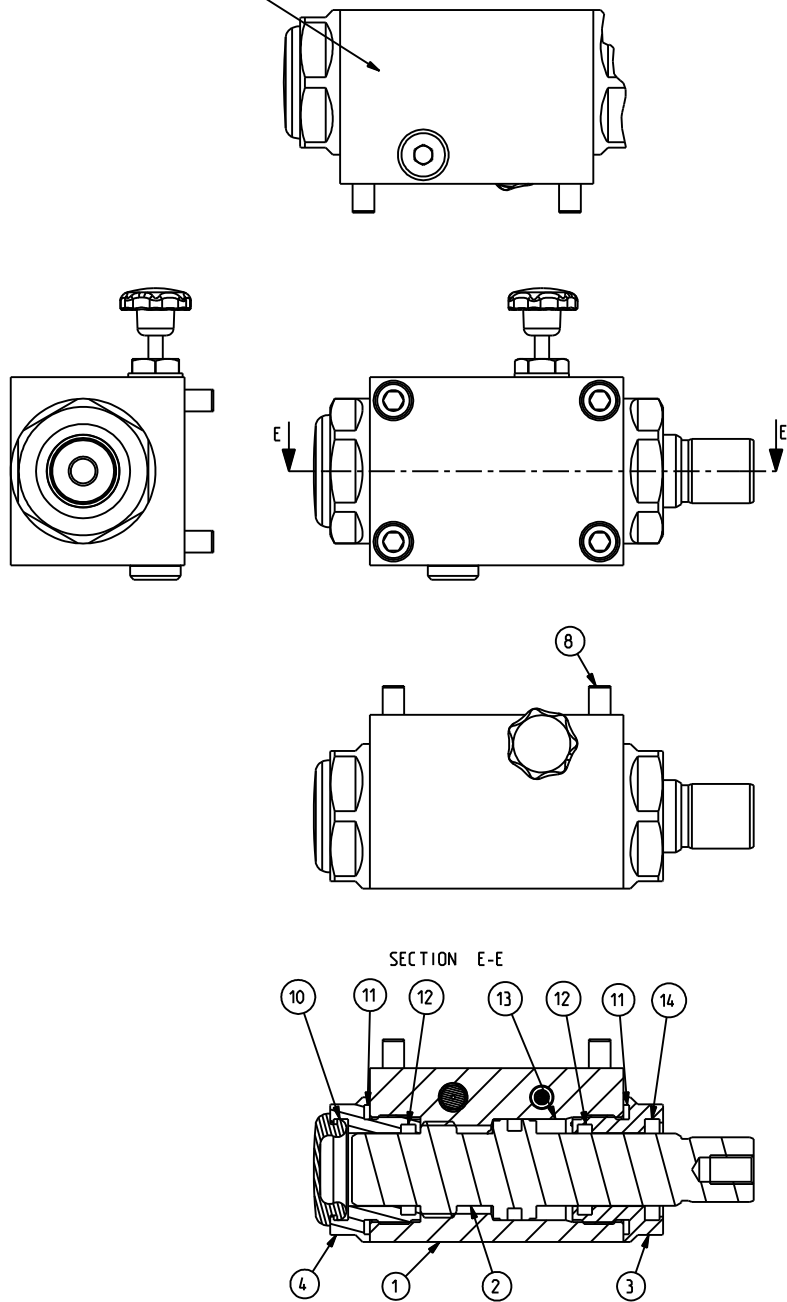
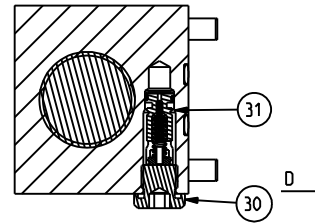


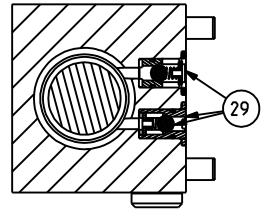
Date stamp



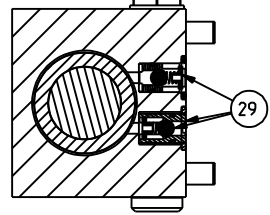
SECTION A-A



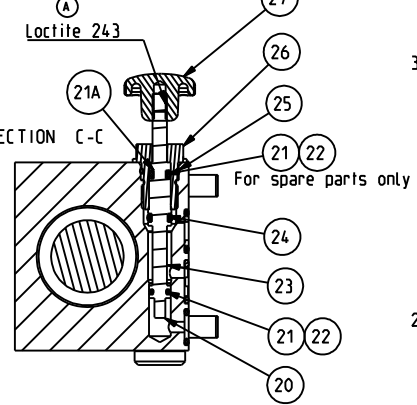
SECTION B-B



SECTION D-D



SECTION C-C



<p>REVISIONS</p> <table border="1"> <thead> <tr> <th>NO.</th> <th>DATE</th> <th>BY</th> <th>CHKD.</th> <th>DESCRIPTION</th> </tr> </thead> <tbody> <tr> <td>0-1</td> <td></td> <td></td> <td></td> <td></td> </tr> <tr> <td>1-1</td> <td></td> <td></td> <td></td> <td></td> </tr> <tr> <td>2-1</td> <td></td> <td></td> <td></td> <td></td> </tr> <tr> <td>3-1</td> <td></td> <td></td> <td></td> <td></td> </tr> <tr> <td>4-1</td> <td></td> <td></td> <td></td> <td></td> </tr> </tbody> </table>		NO.	DATE	BY	CHKD.	DESCRIPTION	0-1					1-1					2-1					3-1					4-1					<p>DATE: 030205                  BY: BNH                  CHECKED: 050209 KBE KBE                  0995 101001 KBE KBE                  7207 120629 KBE KBE</p>
NO.	DATE	BY	CHKD.	DESCRIPTION																												
0-1																																
1-1																																
2-1																																
3-1																																
4-1																																
<p>DESCRIPTION: Hand Pump 6 ccm for KFR</p>		<p>TOTAL WEIGHT: 1.6 KG</p>	<p>160G9378</p>																													