
 <b>DANFOSS SYSTEM HYDRAULIK A/S</b>	<b>PARTS-, SPARE PARTS, &amp; MATERIALS LIST</b>		
	COMPONENT: TYPE & VERSION HPR 02		SHEET 1 OF 2
	PSM NO. 045P028		ISSUE
Notes: All items with stated ID nos. can be purchased as spare parts. When ordering spare parts - state ID no.			DATE BY CHECK
DRAWINGS REFERRED TO:			
DRAWING NO.	REF.	DESCRIPTION	
055C0641	a	HPR 02 CONFIGURATION 4	
	b		
	c		
	d		
		870624 SV	1

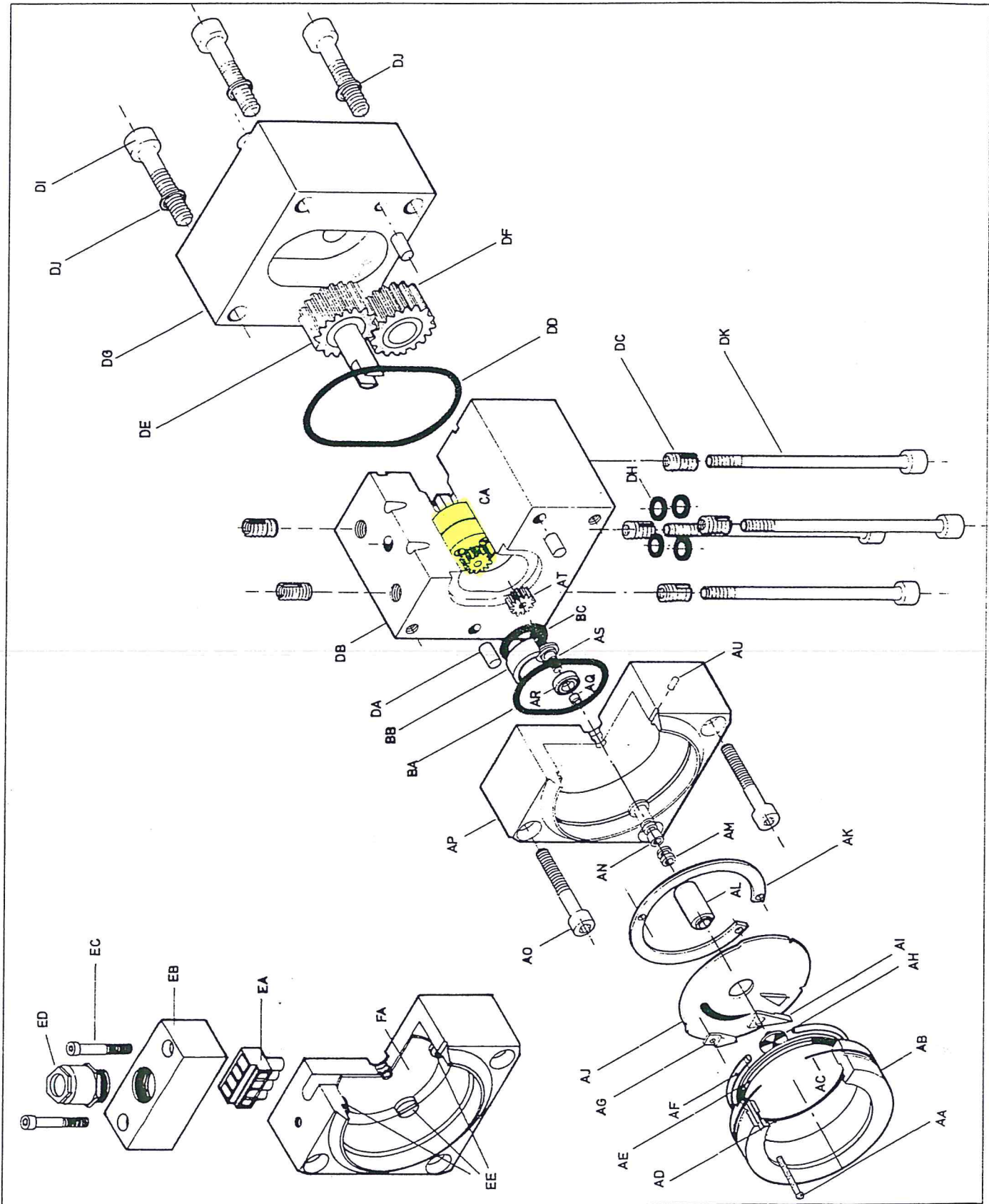
ITEM Nos. or capital letters	REF.	ID NO.	CTM no. refers to DSH sheets: COMPARISON TABLES for MATERIALS			CTM NO.
			PARTS DESCRIPTION	QTY	MATERIAL	
30	a	043D6782	Top part	1	ALMgSi 0,5 K05	
31	a	043D6945	Retainer ring	1	ALMgSi 0,5 K05	
32	a	032E5133	Clutch	1	Sandv.1802 F10	
33	a	032E5105	Clutch shaft	1	MS 58 L05	
34	a	032E6661	Gear wheel	1	MS 58 L05	
35	a	032E9383	Driven shaft	1	Sandv.1802 F10	
36	a	392-0008	Ball bearing $\phi 13/\phi 6 \times 3,5$	1	100Cr6/St 3 ROL	
37	a	032-6694	Indicator plate	1	AL 99,7	
38	a	043E4281	Sight glass	1	PMMA	
39	a	032E8392	Retainer ring	1	PMMA	
40	a	032E5223	Pointer	1	PMMA	
41	a	032E5122	Indicator	1	ALMgSi 0,5 K05	
42	a	032E5235	Stop	1	PMMA	
43	a	032E7083	Connection house	1	ALMgSi 0,5 K05	
44	a	033E2751	Plate for micro switch	1	PMMA	
45	a	351-1027	Micro switch 9SM101	2		
46	a		Terminal strip	1	PA 66	
47	a		Cable end 0,75 mm2	4		
48	a	355-1001	Cable gland PG 9	1	MS 58 L05	
49	a		O-ring 55x1,0	1	Buta NBR	
50	a		O-ring 44x2,0	1	Buta NBR	
51	a		X-ring 2,9/6,46x1,78	2	Buta PD	
52	a		Variseal $\phi 4/\phi 6,9 \times 2,4$	1	Turcite 109 PF6	
53						
54	a	271-1003	Needle roller	1	100Cr6 ROL	
55	a	250-5211	Screw M2x20 DIN 84	1	MS 58 L05	
56	a	250-5205	Screw M2x8 DIN 84	4	MS 58 L05	
57	a	250-5228	Screw M3x5 DIN 84	4	MS 58 L05	

 <b>DANFOSS SYSTEM HYDRAULIK A/S</b>	<b>PARTS-, SPARE PARTS, &amp; MATERIALS LIST</b>		
	COMPONENT: TYPE & VERSION HPR 02		SHEET 2 OF 2
	PSM NO. 045P028		ISSUE

ITEM Nos. or capital letters	REF.	ID NO.	PARTS DESCRIPTION	QTY	CTM no. refers to DSH sheets: COMPARISON TABLES for MATERIALS		CTM NO.
					MATERIAL		
58	a	251-1035	Screw M4x20 DIN 912	2	A2-70		7A2
59	a	251-1588	Screw M6x40 DIN 912	4	A4-70		7A4
60	a						
61							
62							
63	a		Wire AWG 22 19x0,15 mm2	1			
64	a		Wire AWG 22 19x0,15 mm2	1			
65	a		Wire AWG 22 19x0,15 mm2	2			
66							
67	a	271-1000	Needle roller	1	100Cr6		ROL
68	a	267-0024	Circlip $\phi 48 \times 2,5$ DIN 7993	1	W.no.1,0600		N05
69	a	230-0047	Name plate	1	Stainless		5A2
70	a	260-0412	Pin $\phi 1,9 \times 5$	2	Stainless		5A2
		219-0259	Seal set for HPR 02 configuration 1-2-3-4 consisting of item 49-50-51-52.				

SERVICE & REPAIR MANUAL  
FOR  
DSH HYDRAULIC POSITION INDICATORS

*Danfoss*



**DANFOSS**  
**SYSTEM HYDRAULIK A/S**  
Aaderupvej 41 . DK-4700 Naestved . Denmark

Telephone: + 45 3 72 42 25  
Telex: 46231 dansk dk  
Telefax (Gr. 3): + 45 3 738694

Febr. 1986

4000-5E01 4/15