

Product Data Sheet

SD 6704-2E01

February 2010

Damcos® MHPS

MHPS Manual Hand Pump System



Application

The MHPS is designed for manual and stand-alone-operation.

of a hydraulic double-acting actuator.

Basic Design

The system is designed for operation of valves by means of hydraulic power. The system is flexible in combination as it is based on Cetop-R35H, size 3, DIN 24340 module components, and in the way the MHPS can be placed relatively to the actuator.

The MHPS is pressure and temperature compensated, as standard option.
Note: Only to be used on double-acting actuators with equal oil displacement in the opening and closing stroke.

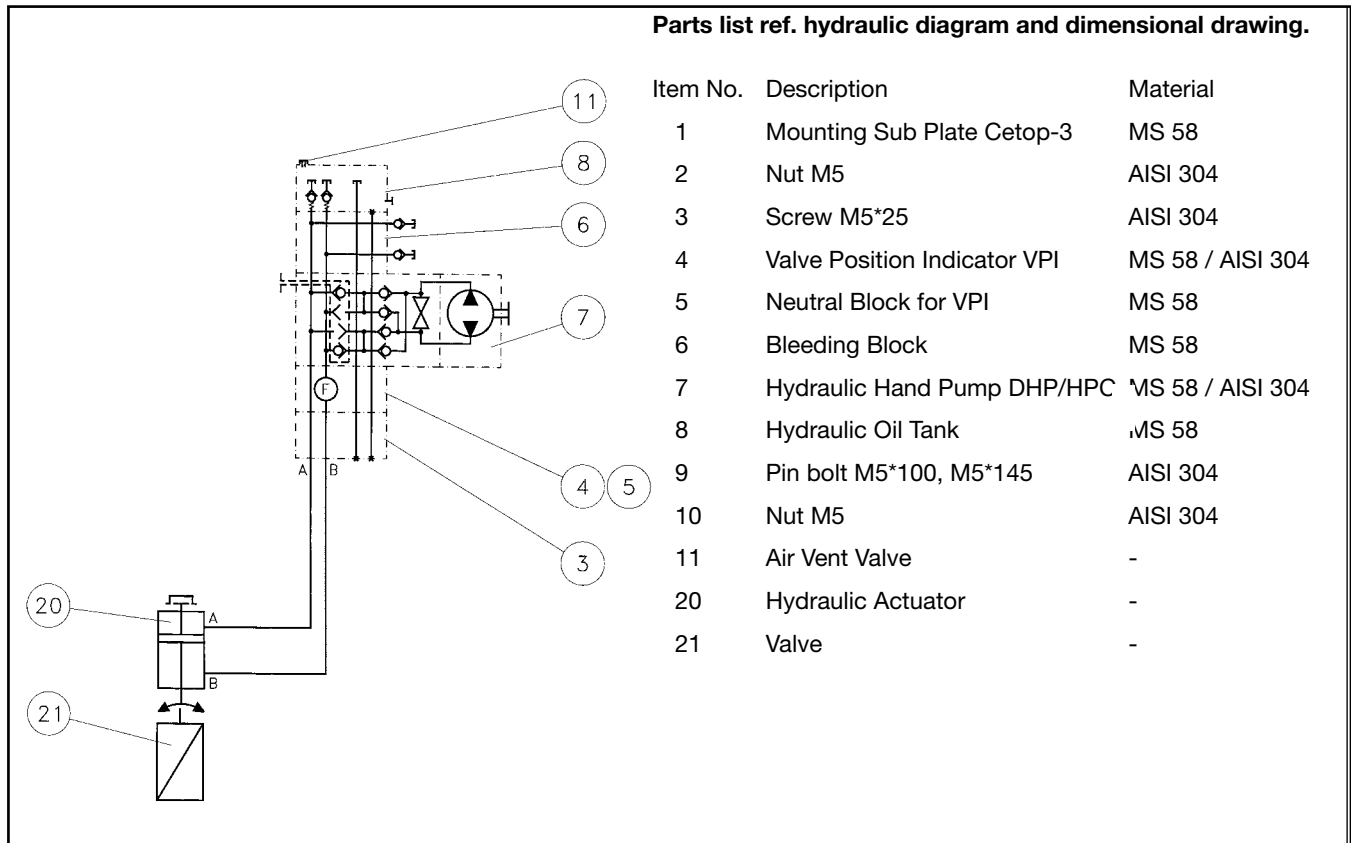
Technical Specification

Oil tank capacity max:	150 cm ³
Oil displacement / double handle stroke:	14 cm ³
Oil viscosity range:	15 - 300 cSt
Temperature range;	-20°C to 80°C
Max. system operating pressure:	210 bar
Max. system test pressure:	315 bar

Damcos®


EMERSON™
Process Management

Hydraulic diagram

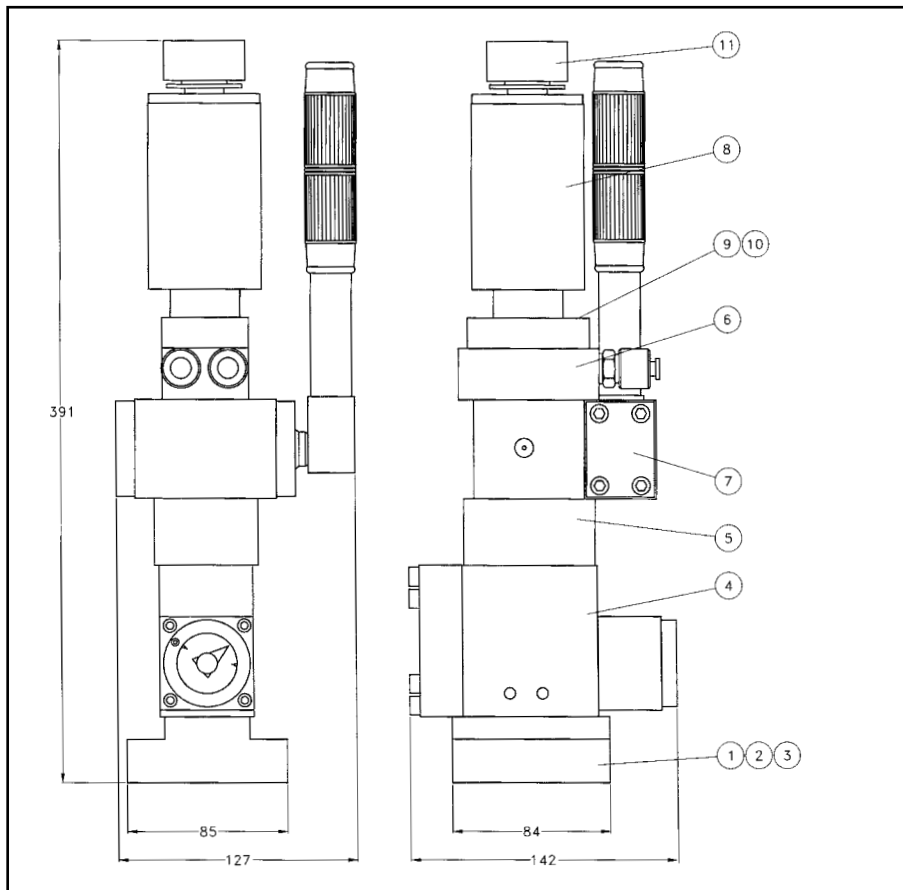


Parts list ref. hydraulic diagram and dimensional drawing.

Item No.	Description	Material
1	Mounting Sub Plate Cetop-3	MS 58
2	Nut M5	AISI 304
3	Screw M5*25	AISI 304
4	Valve Position Indicator VPI	MS 58 / AISI 304
5	Neutral Block for VPI	MS 58
6	Bleeding Block	MS 58
7	Hydraulic Hand Pump DHP/HPC	MS 58 / AISI 304
8	Hydraulic Oil Tank	MS 58
9	Pin bolt M5*100, M5*145	AISI 304
10	Nut M5	AISI 304
11	Air Vent Valve	-
20	Hydraulic Actuator	-
21	Valve	-

Damcos® MHPS

Main Dimension



The Emerson logo is a trademark and service mark of Emerson Electric Co. Damcos® and the Damcos logotype are registered trademarks of Damcos A/S. All rights reserved. The contents of this publication are presented for information purposes only, and while effort has been made to ensure their accuracy, they are not to be construed as warranties or guarantees, expressed or implied, regarding the products or services described herein or their use or applicability. All sales are governed by our terms and conditions, which are available upon request. We reserve the right to modify or improve the designs and specifications of our products at any time without notice. Damcos A/S accepts no responsibility for any errors that may appear in this publication.

This product is developed and managed by:
Emerson Process Management

Damcos A/S
 Aaderupvej 41
 DK-4700 Naestved
 T +45 5578 7200
 F +45 5578 7272

For global contacts:
www.EmersonProcess.com/mtm