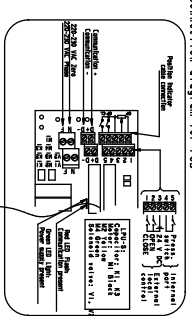
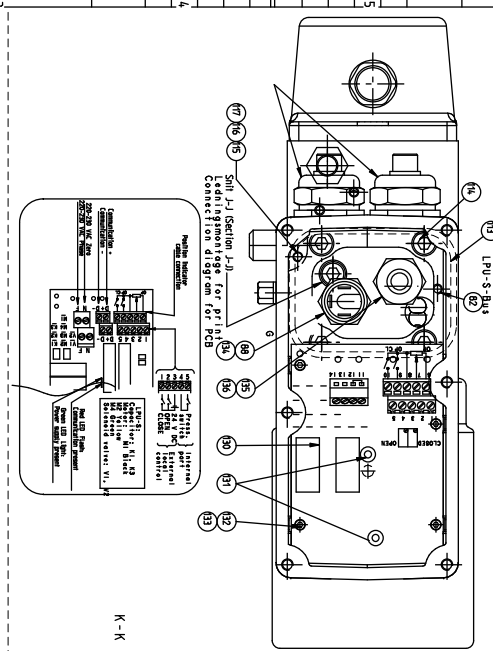
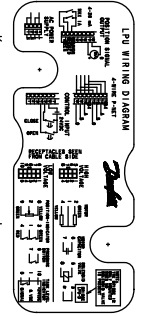
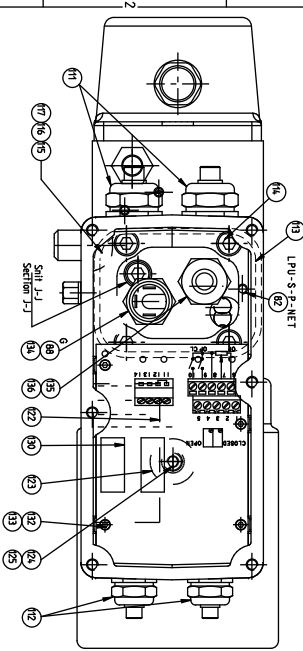


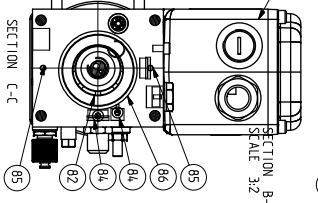
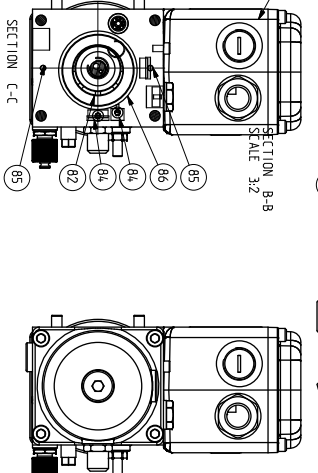
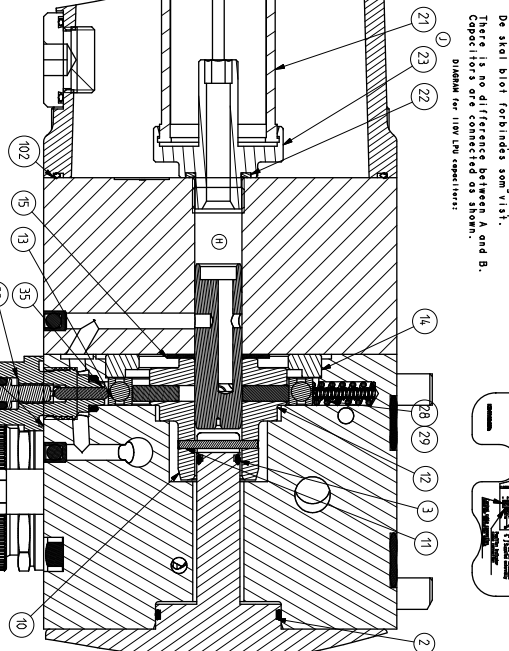
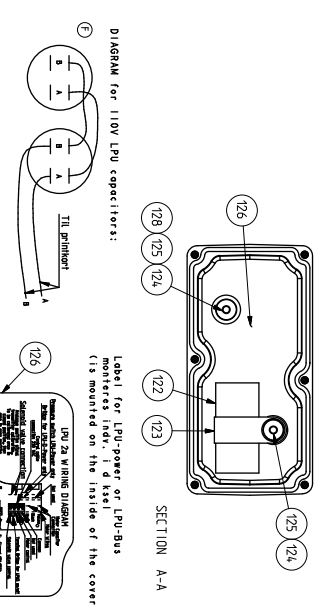
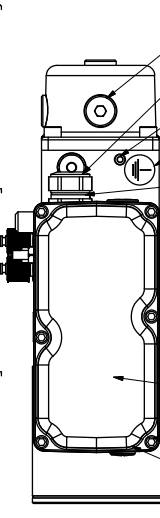
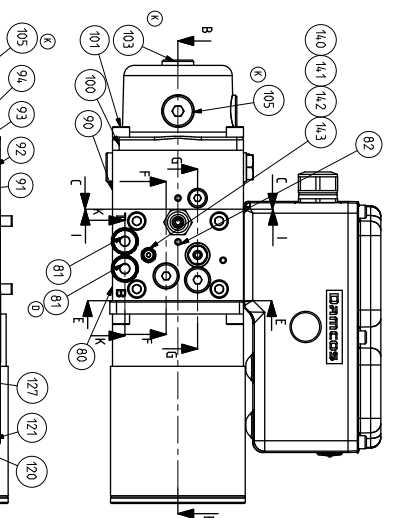
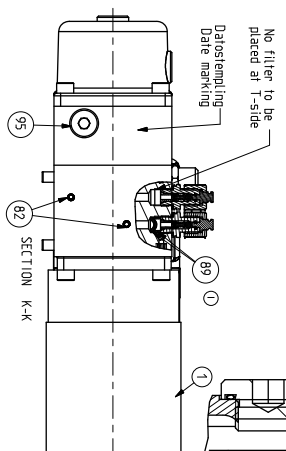
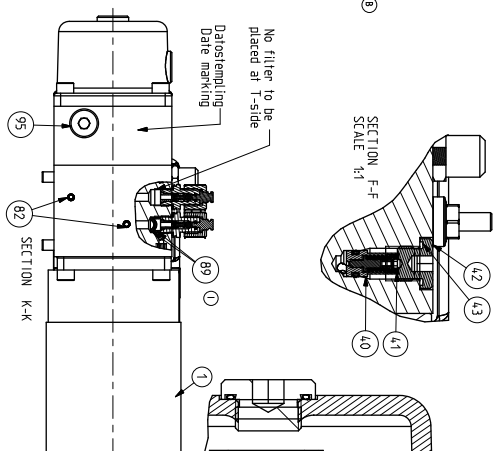
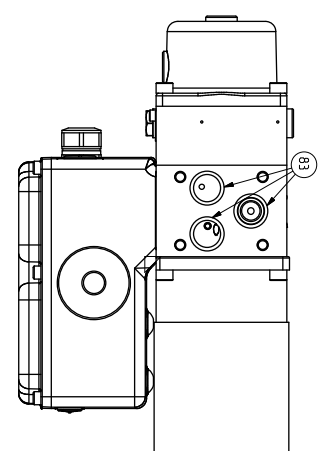
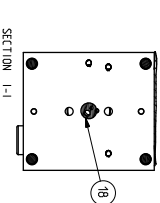
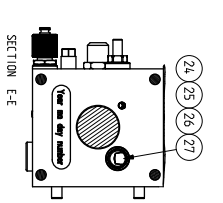
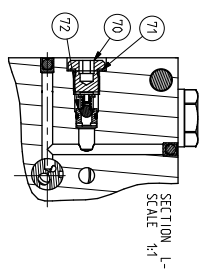
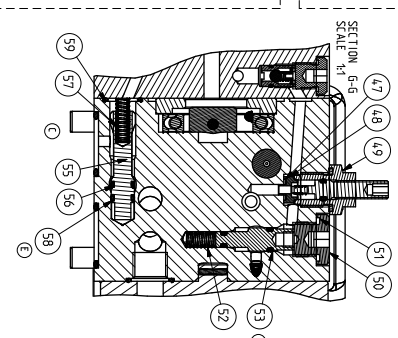
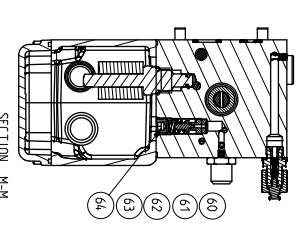
K-K



K-K



K-K



① Mounting instruction 160R2142 and 160R2143

AI	REV	DESCRIPTION	DATE
1	1	Initial release	1997/09/01
2	2	Change of drawing	1997/09/01
3	3	Change of drawing	1997/09/01
4	4	Change of drawing	1997/09/01
5	5	Change of drawing	1997/09/01
6	6	Change of drawing	1997/09/01
7	7	Change of drawing	1997/09/01
8	8	Change of drawing	1997/09/01
9	9	Change of drawing	1997/09/01
10	10	Change of drawing	1997/09/01
11	11	Change of drawing	1997/09/01
12	12	Change of drawing	1997/09/01
13	13	Change of drawing	1997/09/01
14	14	Change of drawing	1997/09/01
15	15	Change of drawing	1997/09/01
16	16	Change of drawing	1997/09/01
17	17	Change of drawing	1997/09/01
18	18	Change of drawing	1997/09/01
19	19	Change of drawing	1997/09/01
20	20	Change of drawing	1997/09/01
21	21	Change of drawing	1997/09/01
22	22	Change of drawing	1997/09/01
23	23	Change of drawing	1997/09/01
24	24	Change of drawing	1997/09/01
25	25	Change of drawing	1997/09/01
26	26	Change of drawing	1997/09/01
27	27	Change of drawing	1997/09/01
28	28	Change of drawing	1997/09/01
29	29	Change of drawing	1997/09/01
30	30	Change of drawing	1997/09/01
31	31	Change of drawing	1997/09/01
32	32	Change of drawing	1997/09/01
33	33	Change of drawing	1997/09/01
34	34	Change of drawing	1997/09/01
35	35	Change of drawing	1997/09/01
36	36	Change of drawing	1997/09/01
37	37	Change of drawing	1997/09/01
38	38	Change of drawing	1997/09/01
39	39	Change of drawing	1997/09/01
40	40	Change of drawing	1997/09/01
41	41	Change of drawing	1997/09/01
42	42	Change of drawing	1997/09/01
43	43	Change of drawing	1997/09/01
44	44	Change of drawing	1997/09/01
45	45	Change of drawing	1997/09/01
46	46	Change of drawing	1997/09/01
47	47	Change of drawing	1997/09/01
48	48	Change of drawing	1997/09/01
49	49	Change of drawing	1997/09/01
50	50	Change of drawing	1997/09/01
51	51	Change of drawing	1997/09/01
52	52	Change of drawing	1997/09/01
53	53	Change of drawing	1997/09/01
54	54	Change of drawing	1997/09/01
55	55	Change of drawing	1997/09/01
56	56	Change of drawing	1997/09/01
57	57	Change of drawing	1997/09/01
58	58	Change of drawing	1997/09/01
59	59	Change of drawing	1997/09/01
60	60	Change of drawing	1997/09/01
61	61	Change of drawing	1997/09/01
62	62	Change of drawing	1997/09/01
63	63	Change of drawing	1997/09/01
64	64	Change of drawing	1997/09/01
65	65	Change of drawing	1997/09/01
66	66	Change of drawing	1997/09/01
67	67	Change of drawing	1997/09/01
68	68	Change of drawing	1997/09/01
69	69	Change of drawing	1997/09/01
70	70	Change of drawing	1997/09/01
71	71	Change of drawing	1997/09/01
72	72	Change of drawing	1997/09/01
73	73	Change of drawing	1997/09/01
74	74	Change of drawing	1997/09/01
75	75	Change of drawing	1997/09/01
76	76	Change of drawing	1997/09/01
77	77	Change of drawing	1997/09/01
78	78	Change of drawing	1997/09/01
79	79	Change of drawing	1997/09/01
80	80	Change of drawing	1997/09/01
81	81	Change of drawing	1997/09/01
82	82	Change of drawing	1997/09/01
83	83	Change of drawing	1997/09/01
84	84	Change of drawing	1997/09/01
85	85	Change of drawing	1997/09/01
86	86	Change of drawing	1997/09/01
87	87	Change of drawing	1997/09/01
88	88	Change of drawing	1997/09/01
89	89	Change of drawing	1997/09/01
90	90	Change of drawing	1997/09/01
91	91	Change of drawing	1997/09/01
92	92	Change of drawing	1997/09/01
93	93	Change of drawing	1997/09/01
94	94	Change of drawing	1997/09/01
95	95	Change of drawing	1997/09/01
96	96	Change of drawing	1997/09/01
97	97	Change of drawing	1997/09/01
98	98	Change of drawing	1997/09/01
99	99	Change of drawing	1997/09/01
100	100	Change of drawing	1997/09/01

DANICOS
LPU-S vers 2
Assembly drawing
160R2142
160R2143
160R2144
160R2145
160R2146
160R2147
160R2148
160R2149
160R2150
160R2151
160R2152
160R2153
160R2154
160R2155
160R2156
160R2157
160R2158
160R2159
160R2160
160R2161
160R2162
160R2163
160R2164
160R2165
160R2166
160R2167
160R2168
160R2169
160R2170
160R2171
160R2172
160R2173
160R2174
160R2175
160R2176
160R2177
160R2178
160R2179
160R2180
160R2181
160R2182
160R2183
160R2184
160R2185
160R2186
160R2187
160R2188
160R2189
160R2190
160R2191
160R2192
160R2193
160R2194
160R2195
160R2196
160R2197
160R2198
160R2199
160R2200