

Data sheet

# BRCF 072

## Hydraulic single-acting balanced rotary actuator 90° (quarterturn) fail-safe

**Materials:**

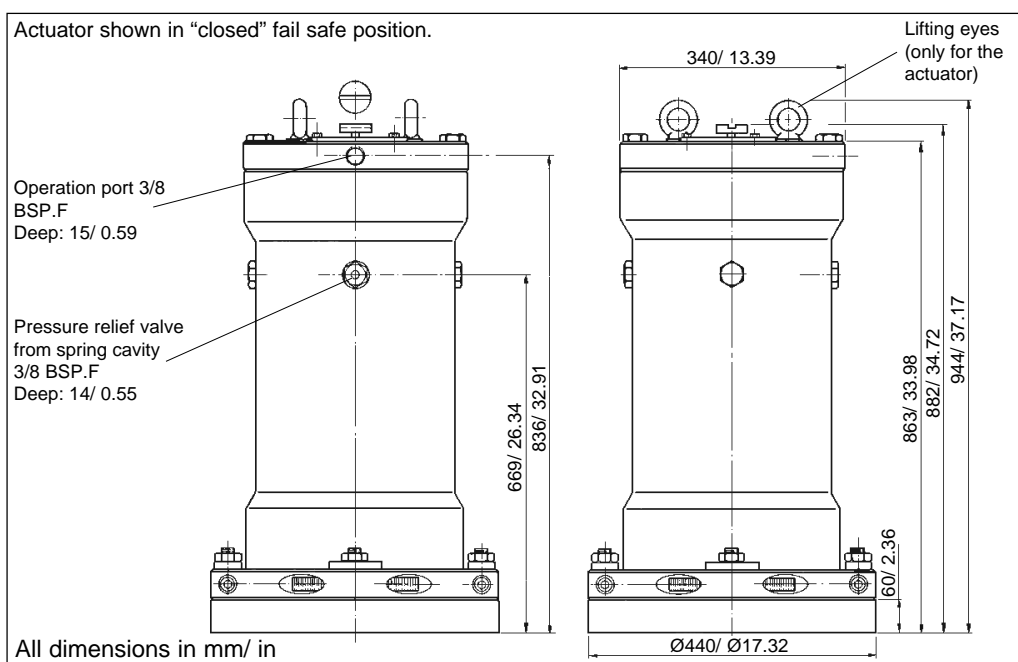
	Eur.	U.S.
Housing:	GGG 40	A695-80
Piston:	GGG 40	A 395-80
Output shaft:	SS 2142	ISO C18 Si35 Mn15 V08
Dished springs:	50 CrV4	A234 F11
Indicator shaft:	SS 2382	AISI 430
Intermediate flange:	St. 50-2	(A 675 grade 70)
Adapter:	SS 2142	ISO C18 Si35 Mn15 V08
Coating:	Primer: Min. 40 micron epoxy ester Top coat: Min. 25 micron alkyd, red	



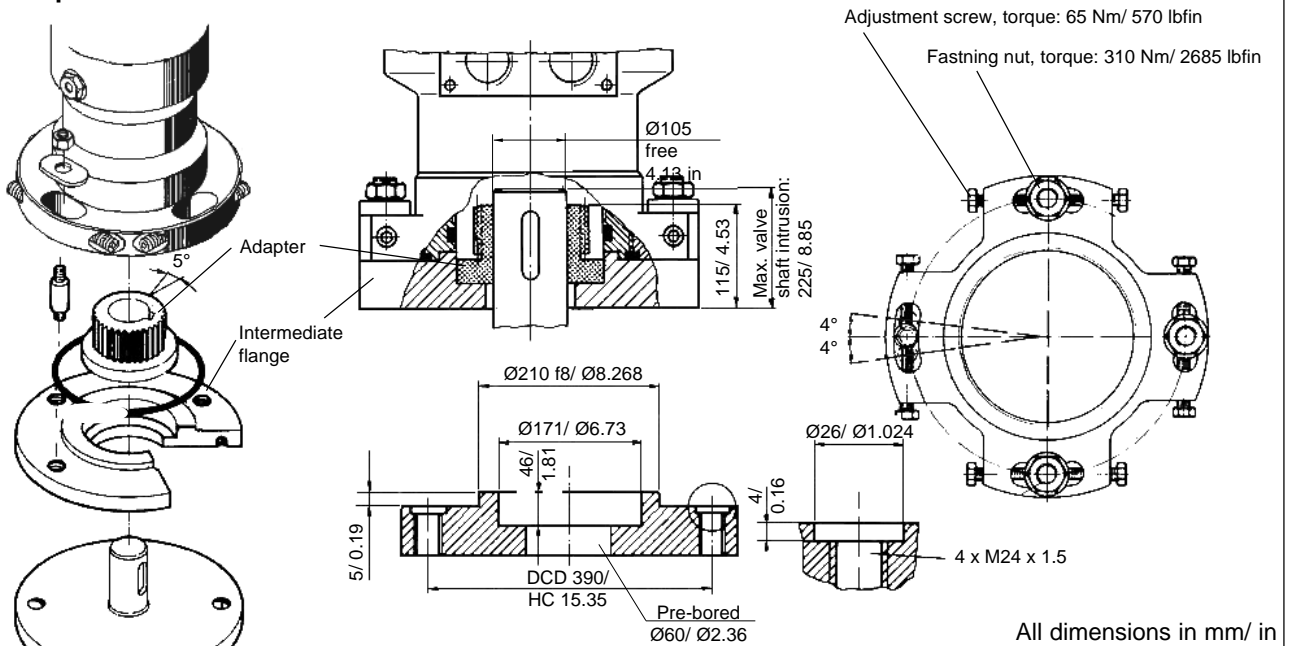
**Main data:**

Burst test:	525 bar/ 7614 lbf/in <sup>2</sup>
Max. working pressure:	115 bar/ 1667 lbf/in <sup>2</sup>
Total dry weight:	467 kg/ 1030 lb incl. 70 kg/ 154 lb for mounting set
Oil displacement:	4208 cm <sup>3</sup> / 256.8 in <sup>3</sup>
Temperature range:	-20°C to +80°C/ -4°F to 176°F
Rotation:	90°±1°
Hydraulic media and viscosities:	We recommend acid-free hydraulic oil. Viscosity range: 15-200 cSt. For recommended brands and for other media than oil please refer to separate data sheet.

**Main dimensions:**



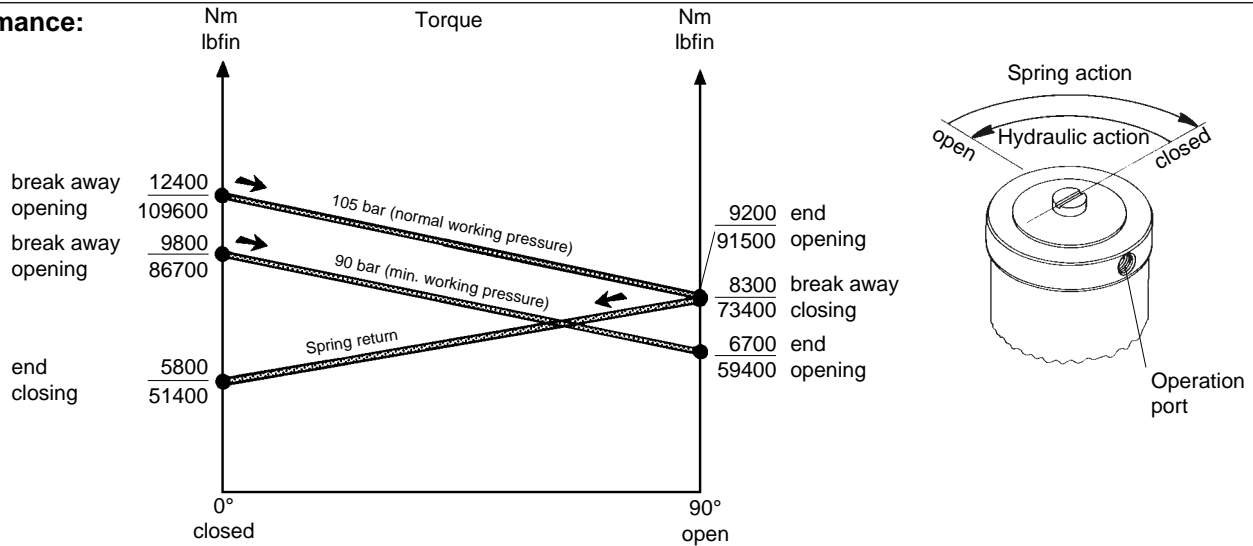
Valve adaption:



Limits for the machining of the adapter.

Shape					
mm	100	100	100	82	p+q 115
in	3.93	3.93	3.93	3.22	4.52

Performance:



Danfoss can accept no responsibility for possible errors in catalogues, brochures and other printed material. Danfoss reserves the right to alter its products without notice. This also applies to products already on order provided that such alterations can be made without consequential changes being necessary in specifications already agreed. All trademarks in this material are property of the respective companies. Danfoss and the Danfoss logotype are trademarks of Danfoss A/S. All rights reserved.