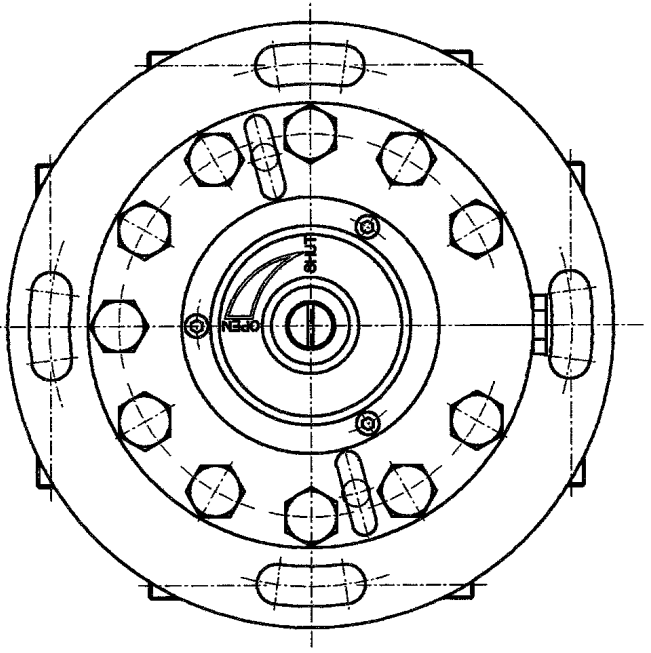
 <b>DANFOSS</b> <b>SYSTEM</b> <b>HYDRAULIK A/S</b>	<b>PARTS-, SPARE PARTS, &amp; MATERIAL LIST</b>			
	COMPONENT: TYPE & VERSION			SHEET: 1 OF: 2
	BRCF 024 - B1			ISSUE
				PSM NO. 160N4036 ×
Notes: All items with stated ID nos. can be purchased as spare parts. When ordering spare parts - state ID no.				↓
DRAWINGS REFERRED TO:				
DRAWING NO.	REF.	DESCRIPTION		
160N9219	a	Assembly Drawing		
	b			
	c			
	d	940530	LSI	

ITEM Nos. or capital letters	REF.	ID NO.	PARTS DESCRIPTION	QTY.	MATERIAL	CTM NO.
01	a		Housing	1	GGG 40	A10
02	a	160N4315	Top cover	1	GGG 40	A10
03	a	160N4320	Piston	1	GGG 40	A10
04	a		Splined member	1	GGG 40	A10
05	a	160N4349	Output shaft	1	SKF 280	B58
06	a	160N4350	Bottom member	1	GGG 40	A10
07	a	034E2621	Clutch member	1	GGG 40	A10
08	a	160N4310	Indicator shaft	1	S-1802	F10
09	a	034E2641	Disc	1	9SMnPB28	B50
10	a	160N4337	Top cover	1	MS 58	L05
11						
12	a	023-6771	Breather valve	1	MS 58	L05
13	a		O-ring 104.14x5.33	1	Buta	PD
14	a		X-ring 75,57x5,33	1	Buta	PD
15	a		X-ring 17,75x2,62	1	Buta	PD
16	a		X-ring 17,75x2,62	1	Buta	PD
17	a		O-ring 119,50x3,0	1	Buta	NBR
18	a		O-ring 114,50x3,0	1	Buta	NBR
19	a		Gasket	1	Chloropr.	
20	a		X-ring 17,75x2,62	1	Buta	PD
21	a	390-0015	Thrust bearing ø75	1	St-3	POL
22	a	390-0115	Thrust disc ø75	2	100Cr6	ROL
23	a	258-9141	Guide ring ø63/ø80x3,0	2	C75	Y03
24	a	231-1025	Disc spring 125/64x6,0 (5,70)	28	50CrV4	N15
25	a	250-0128	Screw M12x50 6K DIN 931	11	A4/80	8A4
26	a	251-0130	Screw M10x25	4	8.8	08.8
27	a	251-1054	Screw M5x12 DIN 912	3	A2/70	7A2
28	a	251-7136	Pin screw M10x40 DIN 916	8	A2/70	7A2

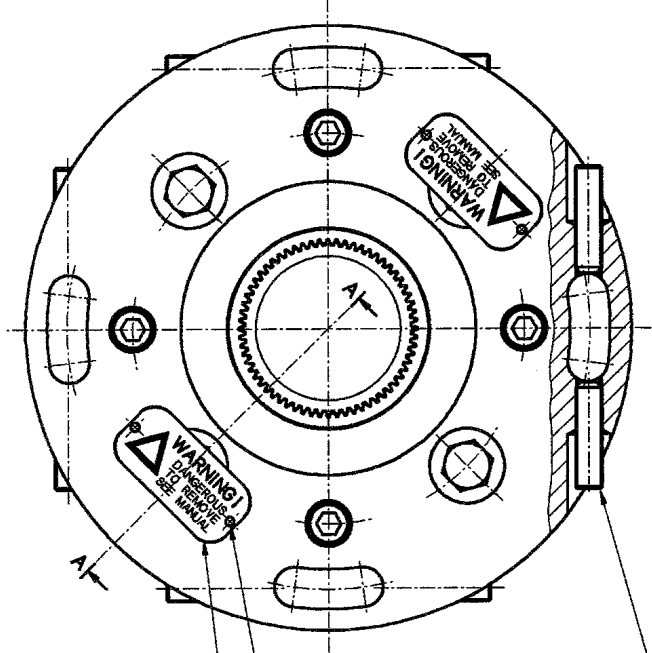


PARTS- SPARE PARTS, & MATERIAL LIST	
COMPONENT: TYPE & VERSION	SHEET: 2 OF: 2
BRCF 024 - B1	
	PSM NO. 160N4036

ITEM	REF	ID: NO	PARTS DESCRIPTION	QTY	MATERIAL	CTM NO.	CTM no. refers to DSH sheets: COMPARISON TABLES for MATERIALS
29	a	266-0007	Locking disc M10 DIN 6798	8	C15		
30							
31	a		Name plate	1	Stainless	F90	
32	a	260-0412	Pin $\phi$ 1,9x5	4	Stainless	8A4	
33							
34							
35	a		Glydring $\phi$ 120/ $\phi$ 104,5x6,3	1	Turcite 46	PF3	
36	a		Heli-coil M10 (1.5)	4	X5CrNi18 10		
37	a	250-2341	Screw M10 x 90 DIN 933	4	08.8	8.8	
38	a		Warning plate 55 x 26 x 1.0	2	Stainless	F90	
39	a		Pin $\phi$ 1.9 x 5	4	Stainless	8A4	
40	a		Plug G 3/8	1	Steel		
41	a	160N4034	Filter insert	1			
42	a		Eye bolt M10 x 30	2	Steel		
200	a	230-0044	Adhesive open/shut sign plate	1	Stainless	5A2	
		160N4269	Seal set BRCF 024 - B1				
			Consisting of item 13-14-				
			15-16-17-18-19-20-35-38-39.				

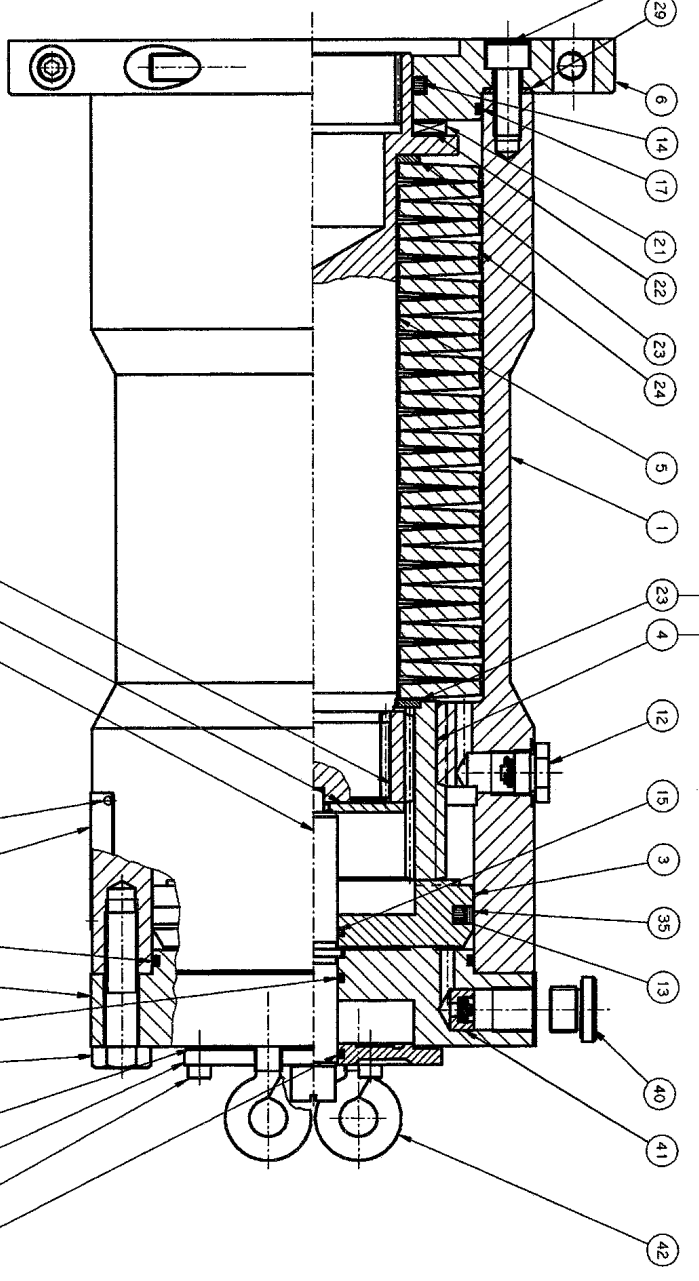


Torque 45 Nm (oilied)



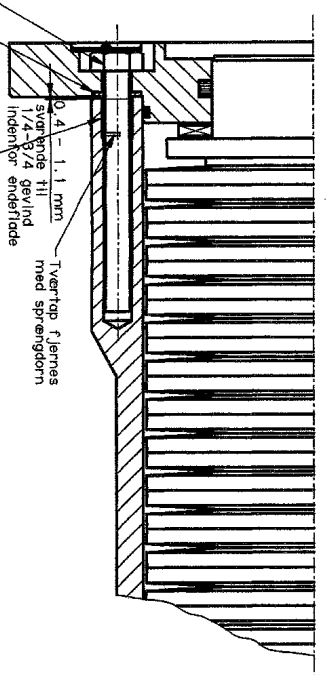
To retain pos. 23 use only Molycote

Lubricated with Molycote



Torque 80 Nm (oilied)

A-A

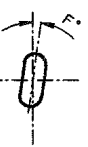


37 Torque 45 Nm (oilied)

38

39

36 Høllcoil sikres i hus med Loctite 307.  
(Aftrædning af bing af aktivator samt herredet i hver af de to sider).  
En stribe (og en ordbog) i gevindens længde.  
En stribe rundt i yderste gevind.



For establishing correct position of indicator shaft (pos. 8) do as follows:  
The spline shaft (pos. 5) is to be mounted as shown with the long hole in angle 180°.  
If possible use special tool shown on dr.w. SK-1739.

Before mounting of piston (pos. 3) approx. 0.45 liter gear oil must be poured over splined member

<b>ASSEMBLY DRW.</b> <b>BRCF 024</b>	
160N9219	