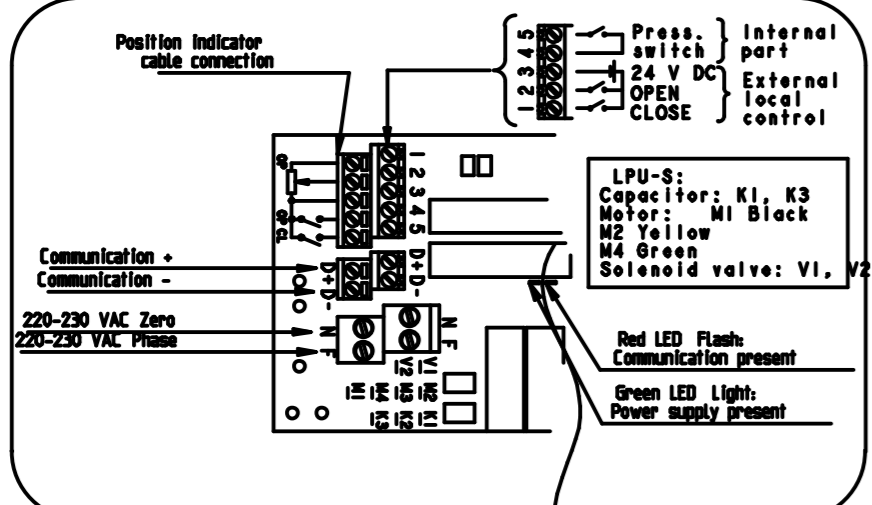
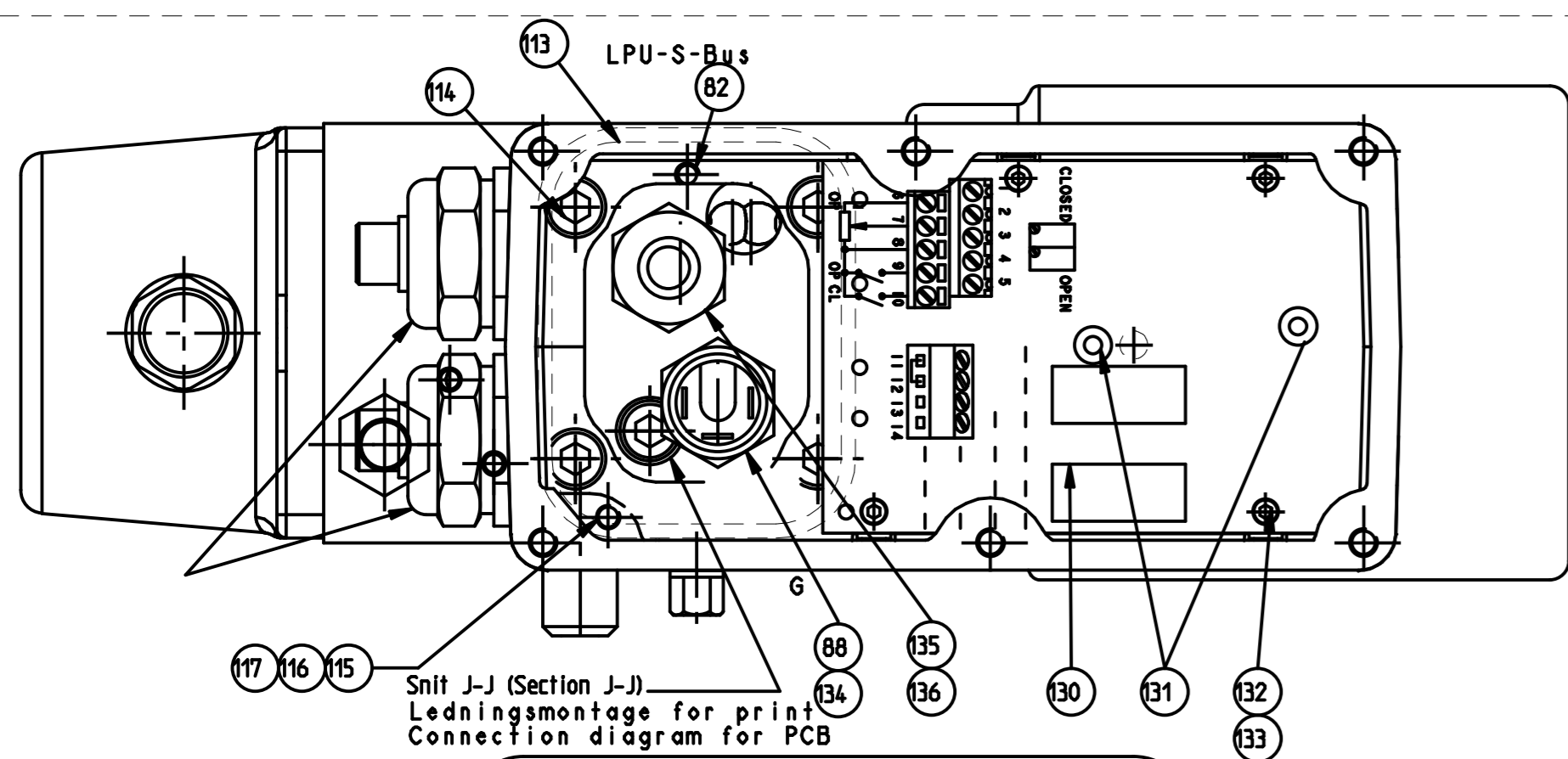
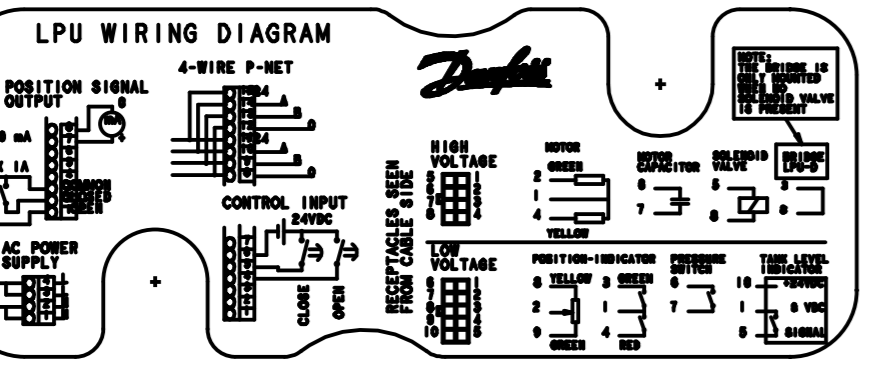
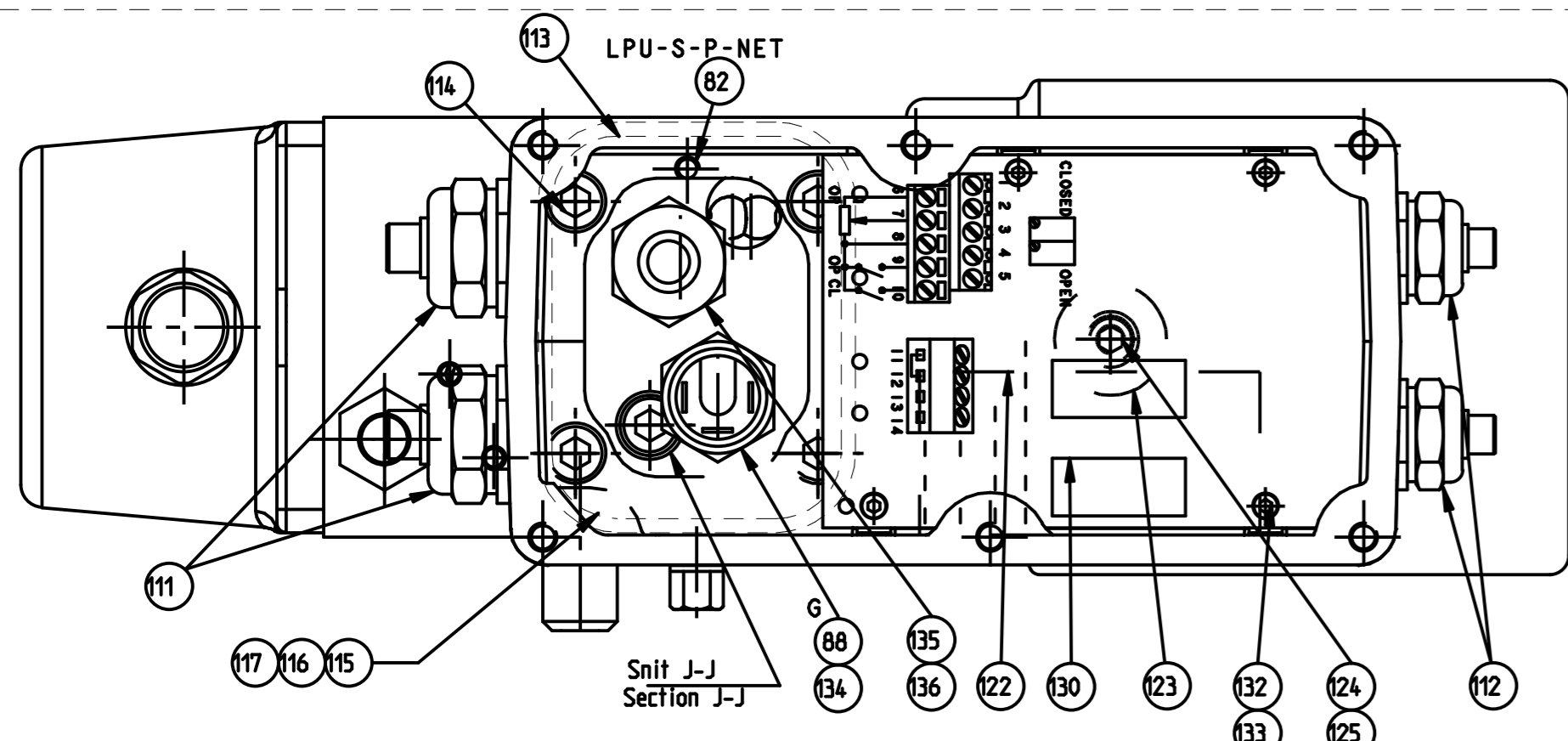


K-K

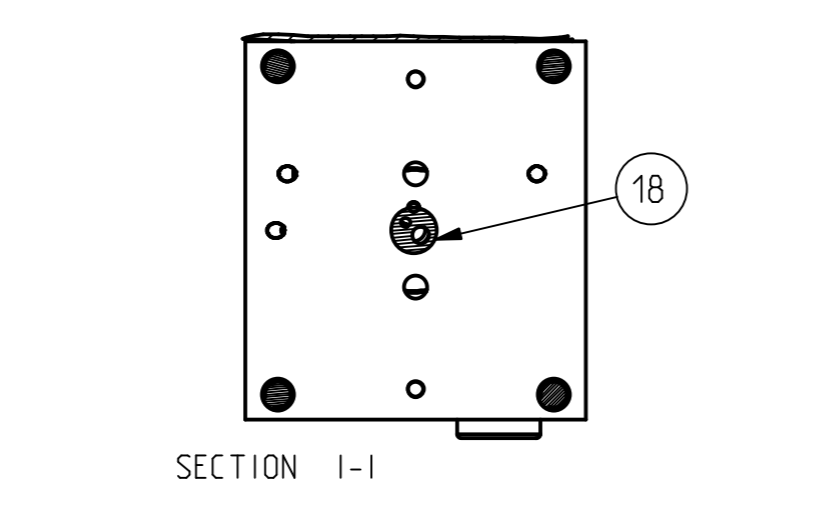
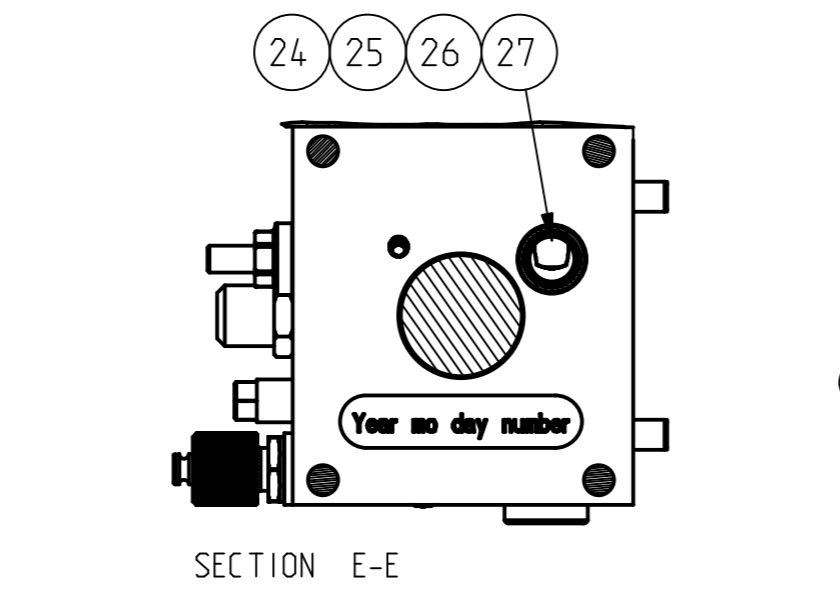
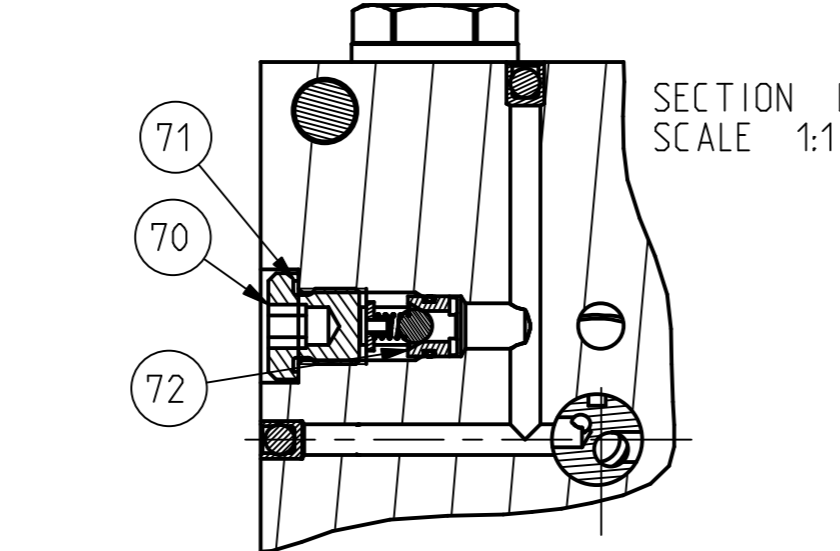
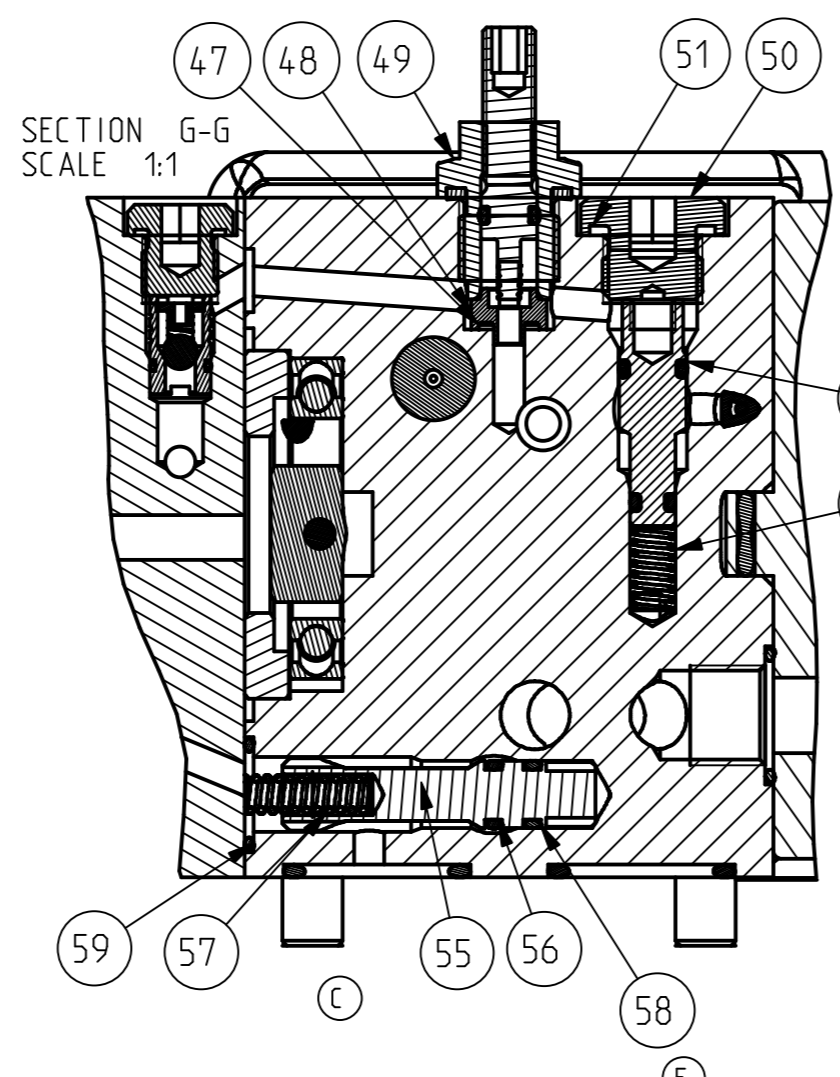


K-K



K-K

SECTION M-M



SECTION F-F SCALE 1:1

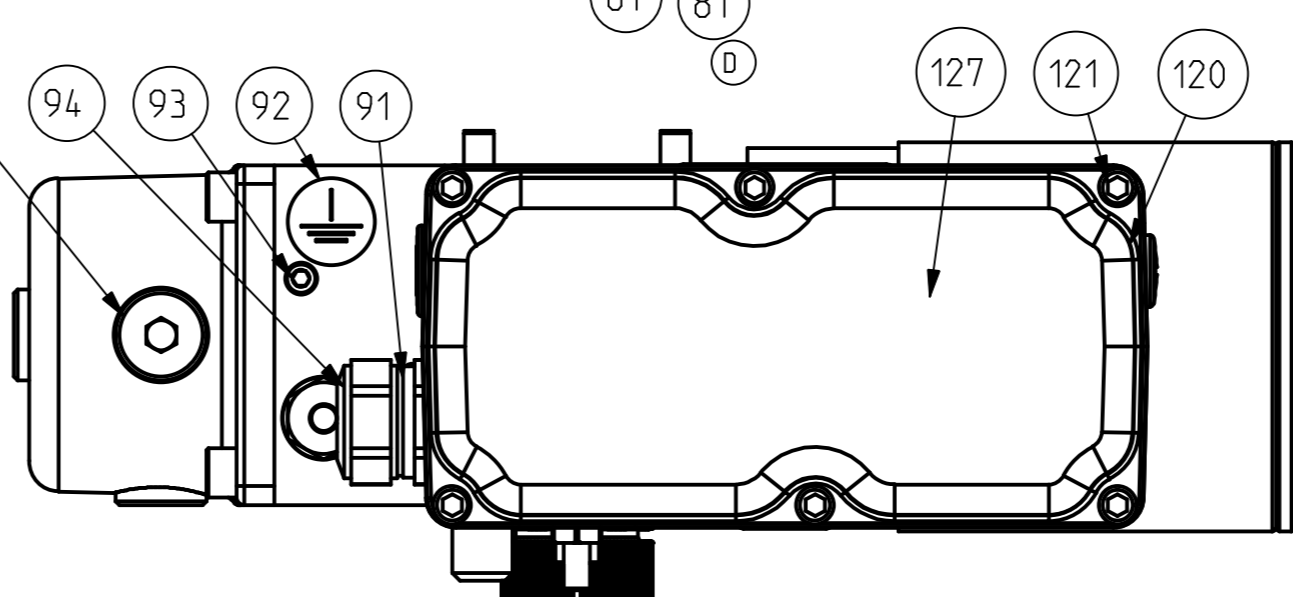
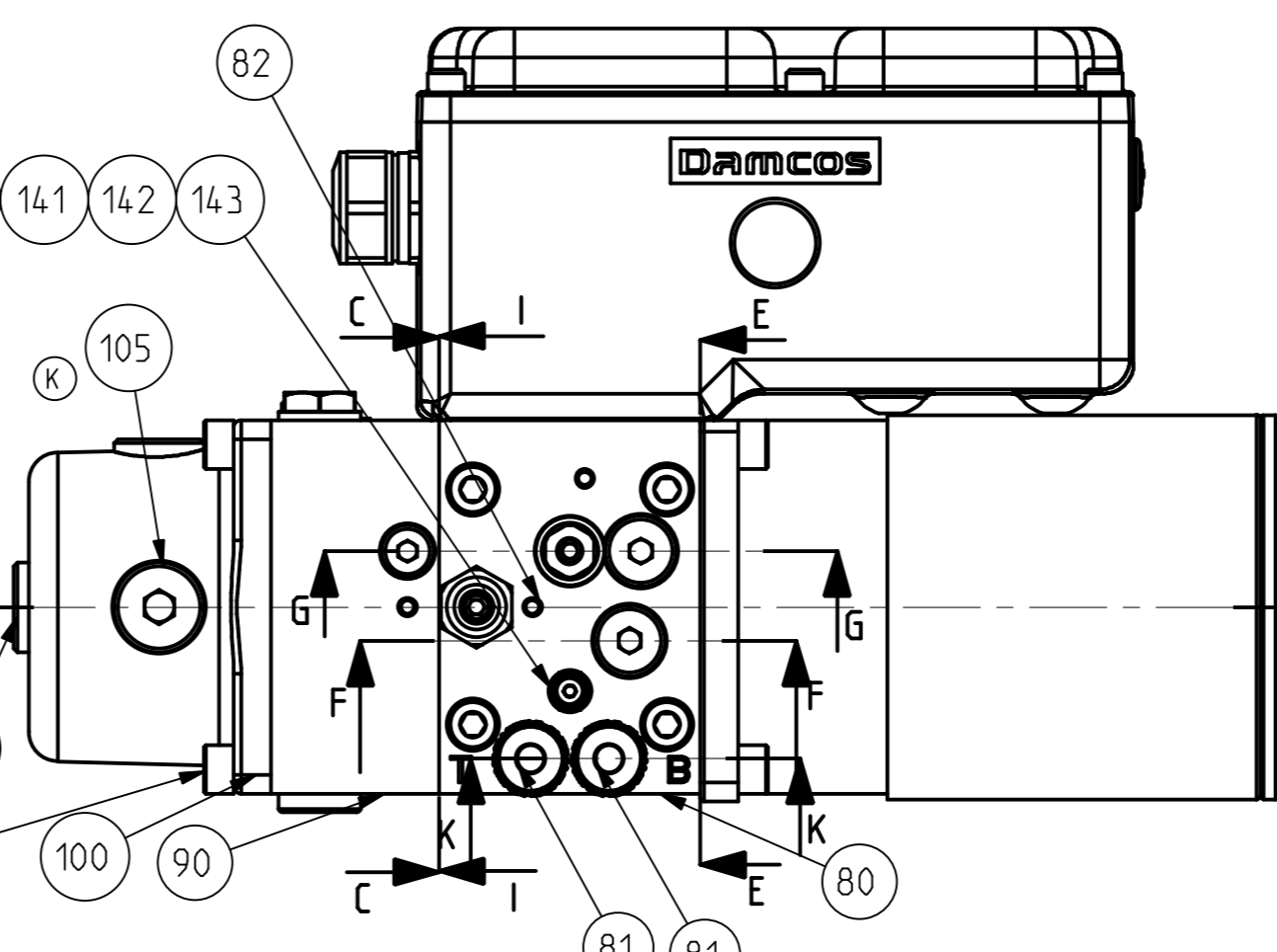
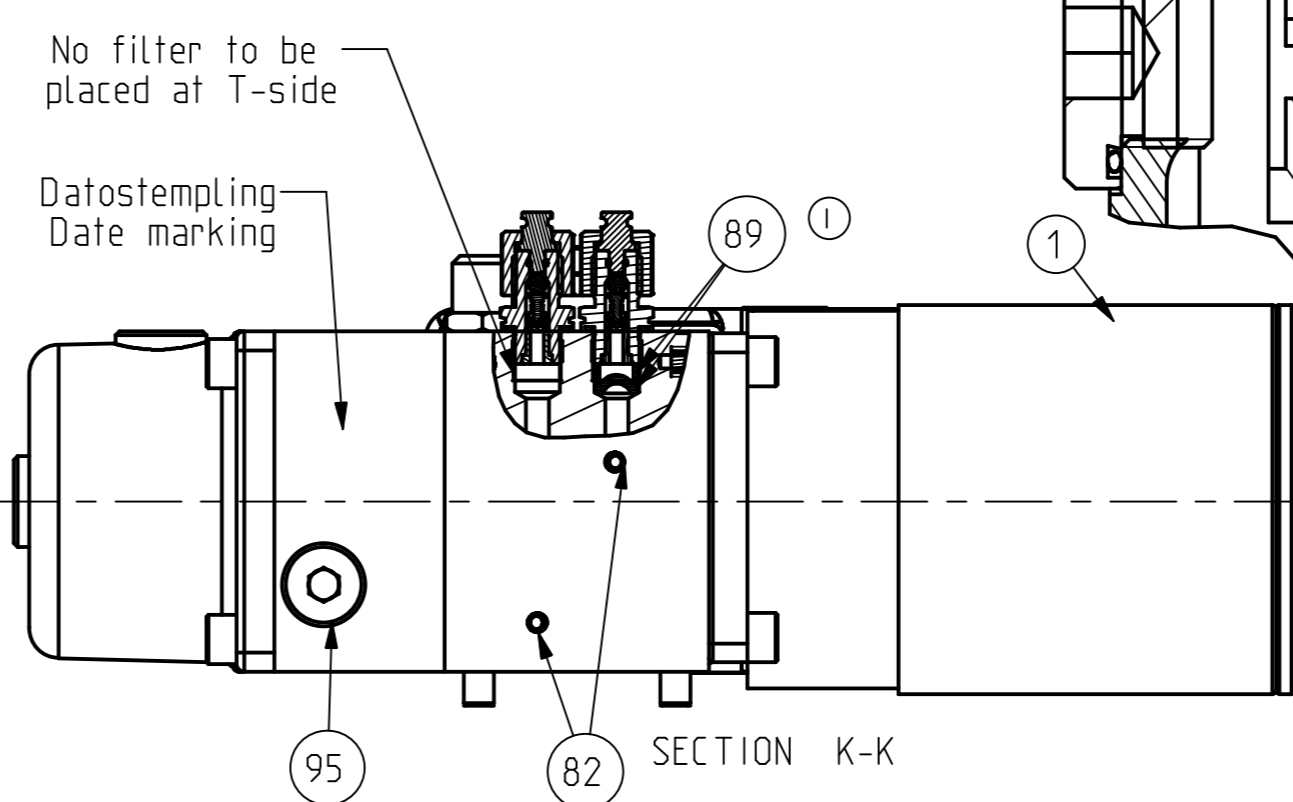
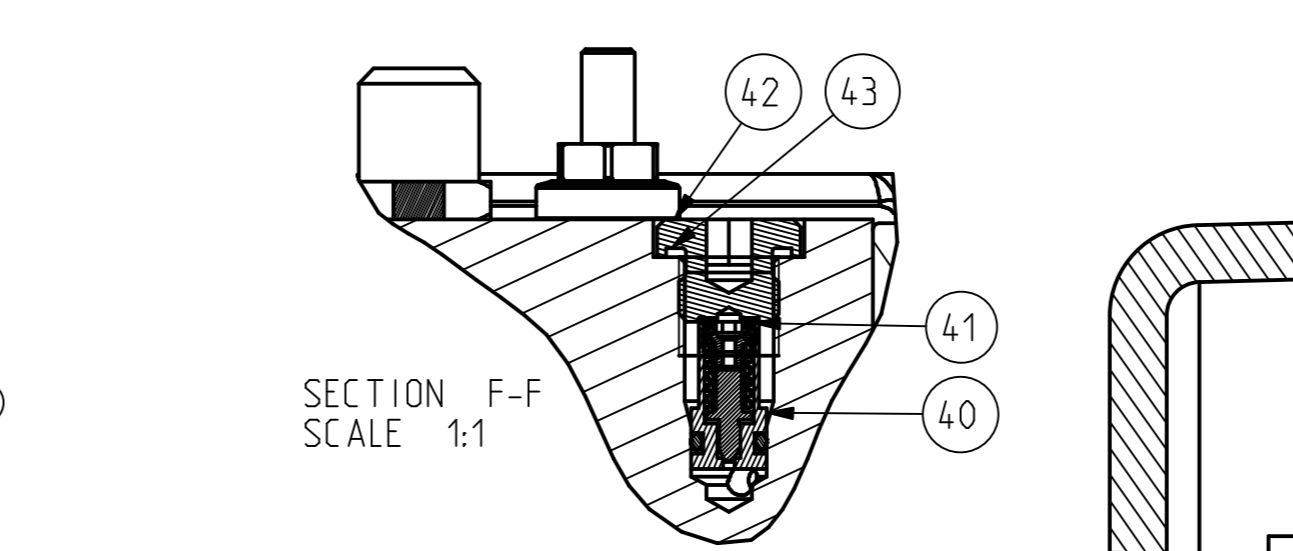
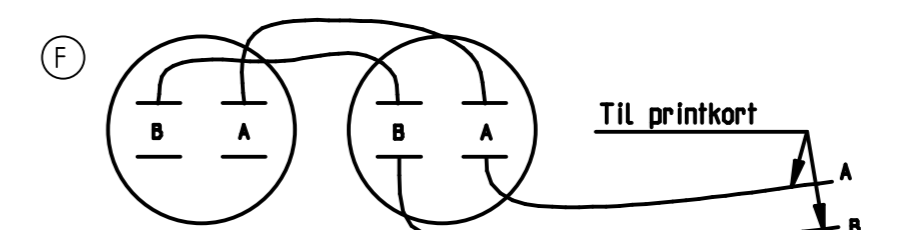
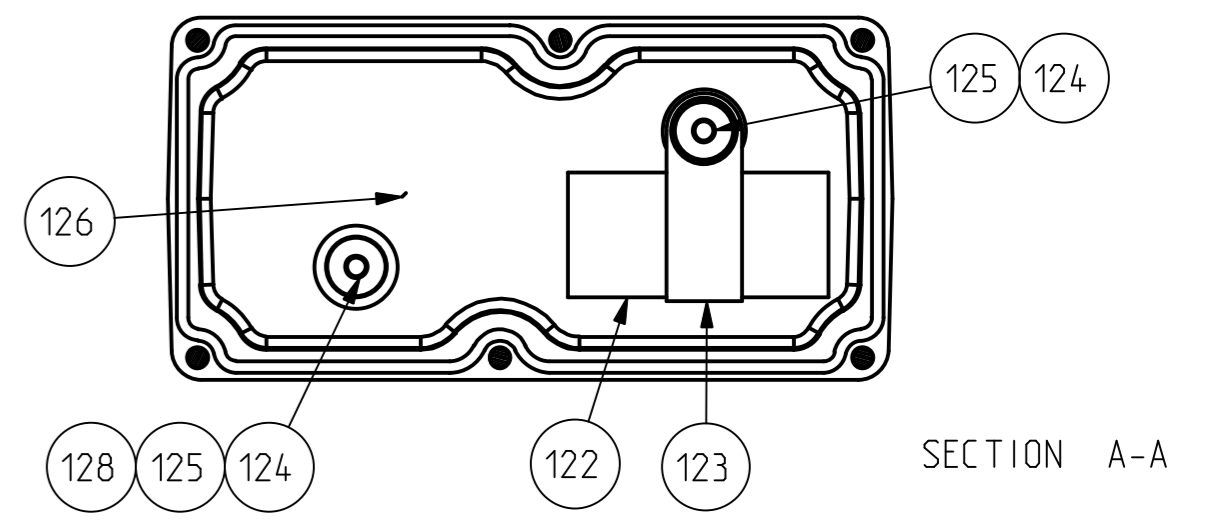


DIAGRAM for 110V LPU capacitors:

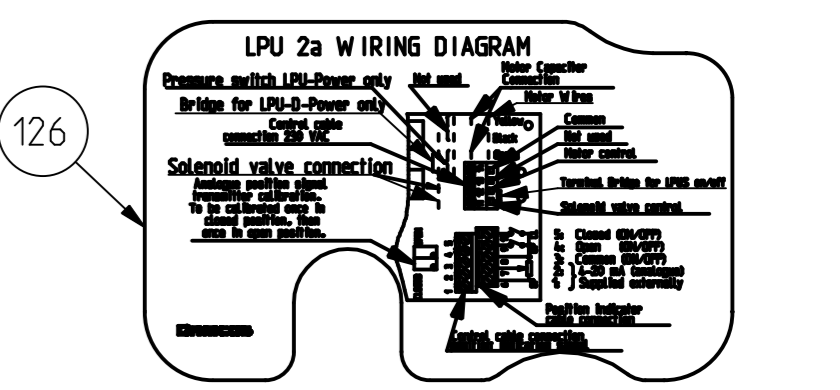


Der er ikke forskel p A og B p kondensatorerne. De skal blot forbindes som vist.
There is no difference between A and B. Capacitors are connected as shown.

DIAGRAM for 110V LPU capacitors:



Label for LPU-power or LPU-Bus monteres indv. i d ksel (is mounted on the inside of the cover)



Ⓐ Mounting instruction 160R2142 and 160R2143

ORDER NO.	QUANTITY	REVISION	DATE	NAME	UNIT	SCALE	PROJ. NO.	CHK.	APPR.
001121	1	001121	1998-08-11	KBE	KBE	1:2	7080111115	KBE	KBE
6301050515	1	6301050515	1998-08-11	KBE	KBE	1:2	7080111115	KBE	KBE
600040122	1	600040122	1998-08-11	UDA	UDA	1:2	7080111115	KBE	KBE
6301050810	1	6301050810	1998-08-11	KBE	KBE	1:2	7080111115	KBE	KBE
6571061206	1	6571061206	1998-08-11	KBE	KBE	1:2	7080111115	KBE	KBE
070110	1	070110	1998-08-11	UDA	UDA	1:2	7080111115	KBE	KBE
6932100303	1	6932100303	1998-08-11	SJO	SJO	1:2	7080111115	KBE	KBE
7071110801	1	7071110801	1998-08-11	KBE	KBE	1:2	7080111115	KBE	KBE

Damcos LPU-S vers 2 Assembly drawing