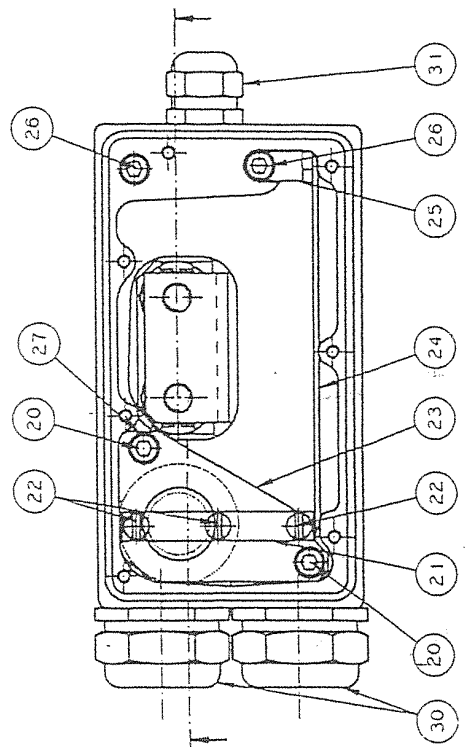
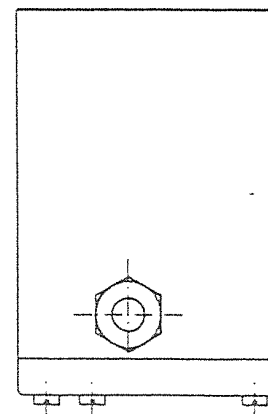
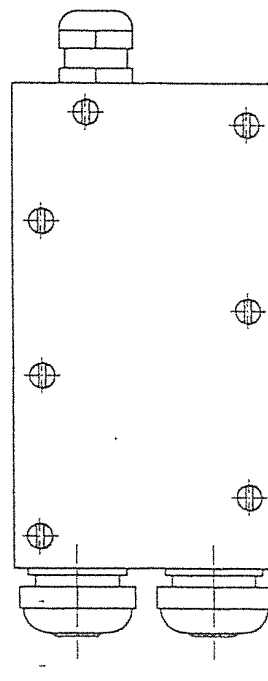
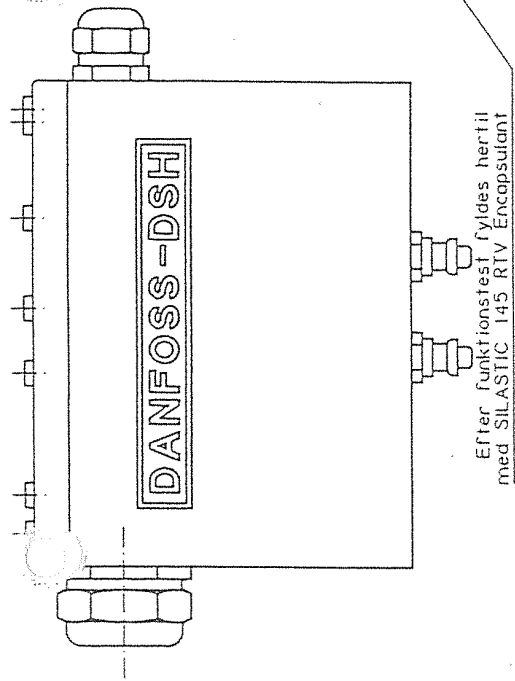
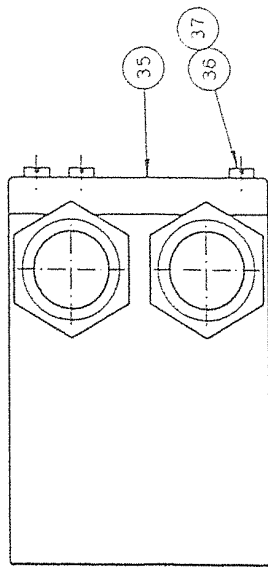
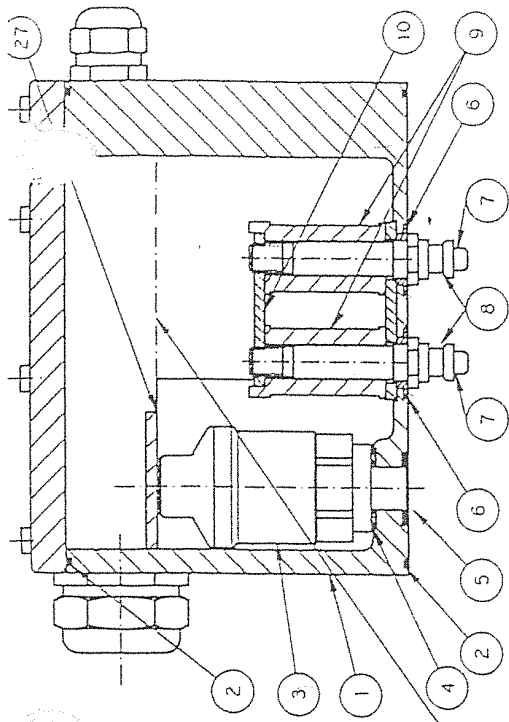
 <b>DANFOSS</b> <b>SYSTEM</b> <b>HYDRAULIK A/S</b>	<b>PARTS-, SPARE PARTS, &amp; MATERIAL LIST</b>							
	COMPONENT TYPE & VERSION		SHEET 1 OF					
	EL-PART without PRESSURE GAUGE, PLS		PSM.NO. 160G4026		ISSUE X			
Notes: All items with stated ID nos. can be purchased as spare parts. When ordering spare parts - state ID no.					DATE	BY	CHECK	↓
DRAWINGS REFERRED TO:								
DRAWING NO.	REF.	DESCRIPTION						
160G9040	a	EL-Part for PLS						
	b							
	c							
	d				950828	KB	KB	1

ITEM Nos. of capital letters	REF.	ID NO.	PARTS DESCRIPTION	QTY	MATERIAL	CTM NO.
1	a		Housing for Power Link	1	JM1	M05
2	a		O-ring 114.02*1.78	2	NBR 70	NBR
3	a		Plug 9/16-18 UNF	1	MS 58	L05
4	a		Usit-ring 17.40*24	1	NBR/Steel	
5	a		O-ring 21.60*2.4	1	NBR	
6	a	160G4302	Clamping ring	2	SKF 280	B54
7	a		O-ring 6.00*2.0	2	NBR 70	NBR
8	a	344-2201	Solenoid Valve 2/2 - NC	2		
9	a		Solenoid Coil	2		
10	a		Yoke for Solenoid Valve	1	Steel	
20	a		Screw M5*80 DIN 912	2	70/A4	7/A4
21	a		Relief Bracket	1	Steel	
22	a		Screw M4*16 DIN 912	3	70/A2	7/A2
23	a	160G4304	Relief Sheet	1	Steel	
24	a		PC-cart PLA	1		
25	a		Bracket for PC-cart	2	Steel	N05
26	a		Screw M5*100 DIN 912	2	70/A4	7/A4
30	a	355-0608	Cable Connection PG 13.5	2	Brass	
31	a	355-0606	Cable Connection PG 9	1	Brass	
35	a	160G4307	Cover for EL-part	1	JM1	M05
36	a		Sealing ø4.32/10.16*1.4	7	Metal/Rubber	
37	a		Screw M4*14	7	70/A4	7/A4
40	a		Name plate	1	Stainless	F90
41	a		Pin ø1.9*5	2	70/A2	7/A2
		160G4296	Seal Kit EL-Part PLS Consisting of item 2-5-7-36.			



Model: <b>SK-2221</b> Type: <b>SK</b>		Material: <b>SK</b>	
Scale: <b>1:1</b>		Weight: <b>KG</b>	
Part No: <b>1428 950303</b>		Drawing No: <b>780G9040</b>	
<b>Danfoss</b> DANFOSS SYSTEM HYDRAULIK A/S			
<b>ELDEL PLA-E</b> til Power Link			

D E F G H